



INSTALLATION INSTRUCTIONS

MSD Pro-Power HVC Coil PN 8251

Parts Included

1 - Pro-Power HVC Coil	2 - Rings Lug Terminals
4 - Vibration Mounts	2 - Nuts & Washers
1 - 2-Pin Weathertight Connector and Harness	2 - 45° Blade Terminals
1 - 2-Pin Weathertight Connector Assembly	2 - Spade Terminals
1 - 4" Black Wire	2 - Star Washers

WARNING: Disconnect the battery during installation. When disconnecting the battery, always remove the negative cable first and install it last.

WARNING: Very high voltages are present at the coil when the engine is running. Never connect any test equipment or touch the coil while the engine is running.

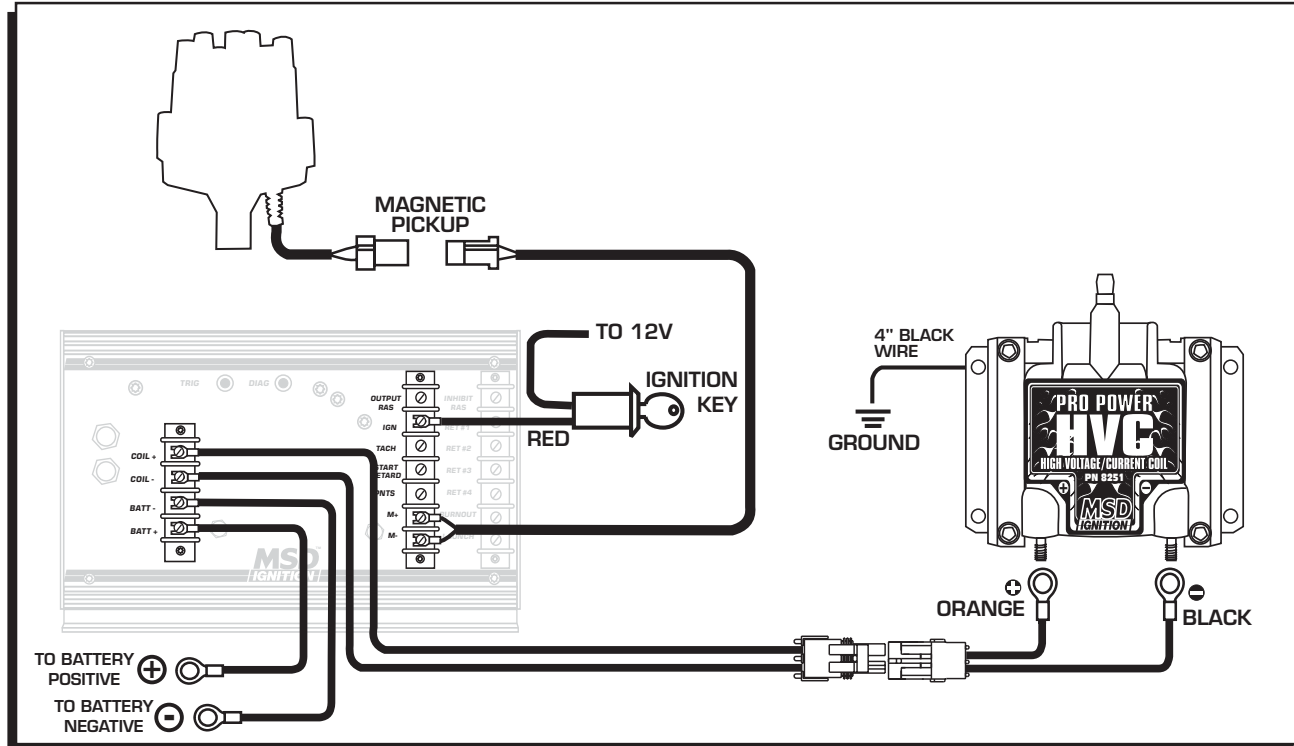
The Pro-Power HVC Coil is designed to be used with an MSD 7, 8 or 10 Series Ignition Control **only**.

INSTALLATION

1. The Coil can be mounted in any position, but should be away from direct heat sources. Use the Coil as a template and mark the location of the mounting holes. Use an 1/8" bit to drill the holes.
2. Install the supplied vibration mounts to the coil and install the coil. Also install one end of the 4" Black wire between a vibration mount and the bracket. Connect the other end to ground.

Note: The supplied star washers must be used on both sides of the ground wire ring lug terminal. This ensures proper grounding through the anodized brackets.

3. The MSD Orange wire connects to coil positive(+). Black connects to coil negative (-). There are two options when connecting the coil:
Use the supplied 45° Blade terminals to connect the MSD Ignition wiring.
OR
Install the supplied 2-pin harness and connect the matching 2-pin connector to the ignition's wiring.
4. Connect the coil secondary wire to the coil and distributor cap.

**Wiring to an MSD 7AL-3**

Service

In case of malfunction, this MSD component will be repaired free of charge according to the terms of the warranty. When returning MSD components for service, Proof of Purchase must be supplied for warranty verification. After the warranty period has expired, repair service is charged based on a minimum and maximum charge.

Send the unit prepaid with proof of purchase to the attention of: **Customer Service Department, Autotronic Controls Corporation, 12120 Esther Lama, Suite 114, El Paso, Texas 79936.**

When returning the unit for repair, leave all wires at the length in which you have them installed. Be sure to include a detailed account of any problems experienced, and what components and accessories are installed on the vehicle.

The repaired unit will be returned as soon as possible after receipt, COD for any charges. (Ground shipping is covered by warranty). All units are returned regular UPS unless otherwise noted. For more information, call the MSD Customer Service Line (915) 855-7123. MSD technicians are available from 8:00 a.m. to 5:00 p.m. Monday - Friday (Mountain Time).

Limited Warranty

Autotronic Controls Corporation warrants MSD Ignition products to be free from defects in material and workmanship under normal use and if properly installed for a period of one year from date of purchase. If found to be defective as mentioned above, it will be replaced or repaired if returned prepaid along with proof of date of purchase. This shall constitute the sole remedy of the purchaser and the sole liability of Autotronic Controls Corporation. To the extent permitted by law, the foregoing is exclusive and in lieu of all other warranties or representations whether expressed or implied, including any implied warranty of merchantability or fitness. In no event shall Autotronic Controls Corporation be liable for special or consequential damages.